



# INSTALLATION INSTRUCTIONS

## IMPORTANT SAFETY INSTRUCTIONS

### MESURES DE SECURITE A RESPECTURE

Before assembling your ACCESS LIGHTING fixture, please make sure that you carefully read through this instruction sheet. Save this instruction sheet and refer to it when additions to or changes in the fixture configuration are made.

Lisez attentivement ce manuel d'instructions. Enregistrer cette feuille d'instructions et de s'y référer lorsque les ajouts ou changements dans la configuration de montage sont faites.

CONSULT A QUALIFIED ELECTRICIAN TO ENSURE CORRECT BRANCH CIRCUIT CONDUCTOR.

CONSULTER UN ELECTRICIEN QUALIFIE POUR VOUS ASSURER QUE LES CONDUCTEURS DE LA DERIVATION SONT ADEQUATS

THIS PRODUCT MUST BE INSTALLED IN ACCORDANCE WITH THE APPLICABLE INSTALLATION CODE BY A PERSON FAMILIAR WITH THE CONSTRUCTION AND OPERATION OF THE PRODUCT AND THE HAZARDS INVOLVED.

CE PRODUIT DOIT ETRE INSTALLE SELON LE CODE D'INSTALLATION PERTINENT, PAR UNE PERSONNE QUI CONNAIT BIEN LE PRODUIT ET SON FONCTIONNEMENT AINSI QUE LES RISQUES INHERENTS

**NOTE:** The important safeguards and instructions that appear in this manual are not meant to cover all possible conditions and situations that may occur. It must be understood that common sense, caution and care, are factors that can't be built into any product. These factors must be supplied by the person(s) caring for and operating the fixture. Read all instructions

Do not install this fixture in hazardous locations.

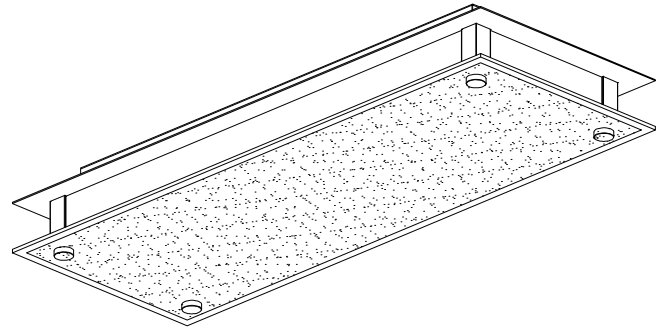
N'installez pas cet appareil dans des emplacements dangereux.

Do not install any fixture assembly closer than 6 inches from any curtain or similar combustible material.

Laissez une distance d'au moins 6 pouces entre ce luminaire et la toute surface combustible.

"WARNING Risk of Fire and Electric Shock."

"CAUTION: Risque d' Incendie et de Choc Electriques."



## COLLECTION

Vision

## APPLICATION

Wall and Ceiling

## MODEL NO.

31028

31029

31030

## WHAT WE PROVIDE

- Crossbar
- Mounting Hardware
- Canopy with Sockets
- 1 x Glass Shade
- 2 x 24W HO Fluorescent tube (31028)
- 1 x 39W HO Fluorescent tube (31029)
- 2 x 39W HO Fluorescent tube (31030)

## WHAT YOU NEED

- Screwdriver
- Wire Cutters
- Wiring Supplies as Specified by Electrical Code

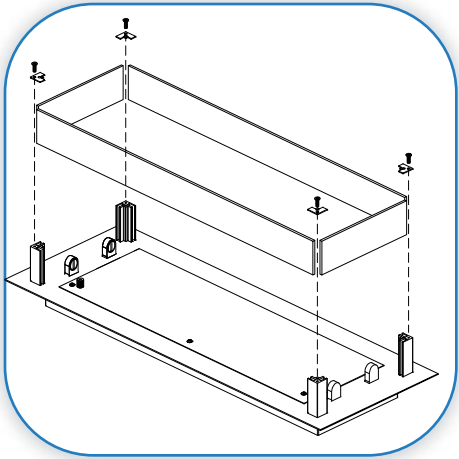
## GENERAL INFORMATION

All electrical connections must be in accordance with all ordinances, Local and the U.S. National Electrical Codes (NEC). These fixtures are intended for mounting to a standard 4" metal octagon outlet box.

The box must be directly supported by the building structure and U.L. Recognized.

## STEP BY STEP INSTRUCTIONS

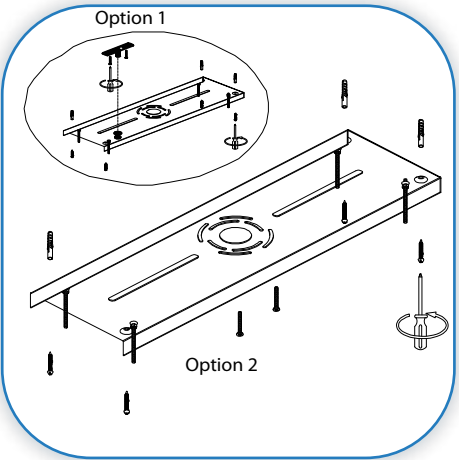
Before starting your installation disconnect the Power by turning off the Circuit Breaker or by removing the fuse at the fuse box. Just turning the light off at the light switch is not sufficient to prevent electrical shock.



1

**PREPARE FIXTURE**

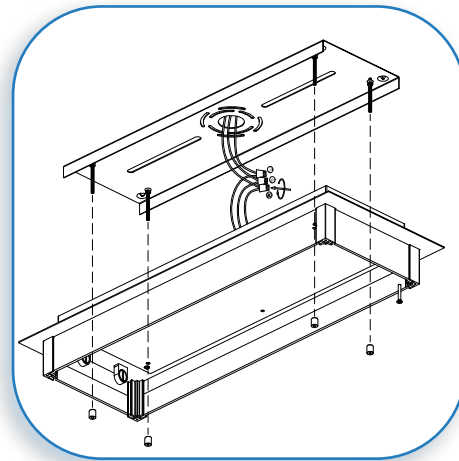
If there is an existing fixture remove it.  
 Lay the un-assembled fixture on a soft surface and install the 4pcs sides glass to the canopy and secure with the supplied screws



2

**PREPARE FIXTURE**

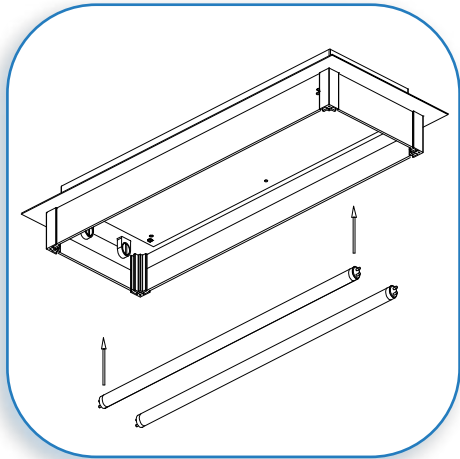
Expose the supply wires from the outlet box.  
 Hold the mounting plate up to the surface and mark with a pencil the location of the mounting plugs.  
 Drill a hole and insert the supplied mounting plugs into the mounting surface.  
 Option1: Install the crossbar and mount to the J-box with supplied screws. Then install the mounting plate with the supplied washer and nut are provided.  
 Option2: Position the mounting plate into the junction box. Align the holes of the plates and secure with the supplied screws.  
 Option 1 or 2: Secure the additional supplied mounting plug screws into the mounting plugs for additional support of mounting plate.



3

**CONNECT THE WIRES AND MOUNT THE CANOPY**

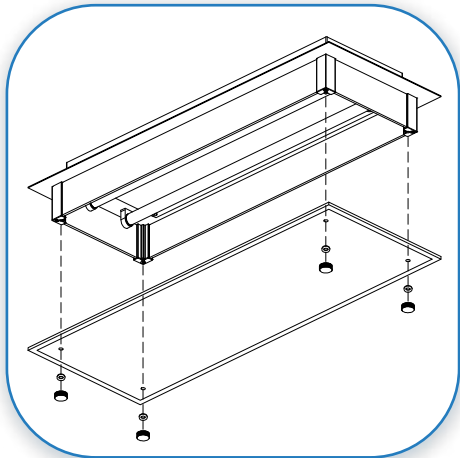
Gently pull the supply wires through the hole in the crossbar. Connect the black supply wire to the black fixture wire. Secure with the supplied wire nuts.  
 Connect the white supply wire to the white fixture wire. Secure with the supplied wire nuts. Attach the green J-Box wire around green hexagonal head screw or connect it to the green supply grounding wire of the fixture. Secure all wires with U.L. Certified electrical tape (not supplied). Tuck all wires carefully into the J-box.  
 Hold the fixture canopy up to the mounting plate. Align the holes in the canopy with the designated retaining screws of the mounting plate and secure with the supplied screws nuts.



4

**INSERT THE TUBE**

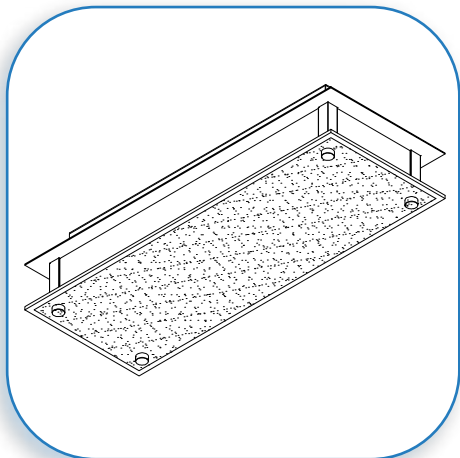
Insert the supplied fluorescent tube.  
DO NOT EXCEED THE MAXIMUM WATTAGE AS STATED ON THE WARNING LABEL AND INSTRUCTION SHEET.



5

**SECURE GLASS SHADE**

Hold the glass shade up to the canopy and secure with the supplied thumb screws.



6

**RESTORE THE ELECTRICITY AND CHECK THE OPERATION OF YOUR NEW ACCESS LIGHTING FIXTURE**

CAUTION

Please ensure that the fitting is cool and switched off before replacing the bulb. DO NOT use bulbs that might exceed the maximum wattage, stated on caution label.