

Model No :: **50030LEDD-BS/FST**  
 Name :: Vision



Project Name :: \_\_\_\_\_  
 Location :: \_\_\_\_\_  
 Type :: \_\_\_\_\_  
 Quantity :: \_\_\_\_\_  
 Notes :: \_\_\_\_\_

**Product Information**

Product ID :: 50030  
 UPC Code :: 641594183771  
 Mounting Type :: Ceiling  
 Finish :: Brushed Steel (BS)  
 Diffuser :: Frosted (FST)  
 Alt. Finishes :: Brushed Steel (BS)  
 Alt. Diffusers :: Frosted (FST)

**Product Dimensions**

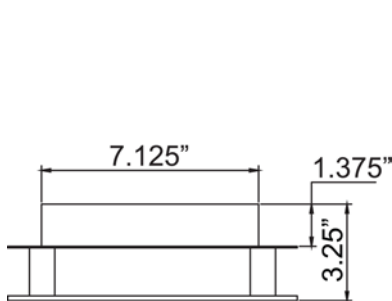
Fixture	Canopy
Length :: 9.5"	Length :: 4.75"
Width :: 9.5"	Width :: 7"
Diameter :: N/A	Diameter :: N/A
Extension :: N/A	Height :: 1.25"
Height :: 3.25"	
Overall Height :: N/A	



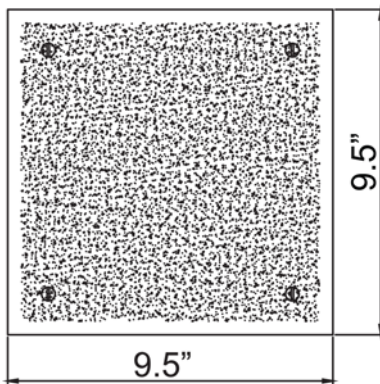
**Technical Specifications**

Qualifications	Specifications	Photometrics	Recommended Dimmers
Location Rating :: Damp	Frame Material :: Metal	CCT :: 3000	(ELV) LEGRAND Paddle ADPD453LM2; (ELV) LEVITON Renoir II AWSMT-EA; (ELV) LUTRON Diva DVELV-300P; (ELV) LUTRON Diva DVELV-303P; (ELV) LUTRON Skylark SELV-300P; (TRIAC) LUTRON Diva DV-600P
Certification :: UL Listed (US/Canada)	Diffuser Material:: Glass	CRI :: 90	
IES File ::	Voltage :: 120v	Wattage :: 17w	
JA8 Compliant :: Yes	Lamping Type :: Dedicated LED	Nominal Lumens :: 1440Lm	
Energy Star :: Yes	Lamping Base :: SSL	Delivered Lumens :: 900Lm	
ADA Compliant :: No	Lamp Quantity :: 1		
Marine Grade :: No	Lamp Wattage :: 17 W		
Emergency Lighting :: No	Total Wattage :: 17w		
Warranty :: 5 Year Limited	Lamps Included :: Yes		
	J-Box Type :: Standard		
		Additional Items :: Available in Warm Dimming, Alt Color Temperatures Available, Available in 0-10V Dimming, Available in 277V	

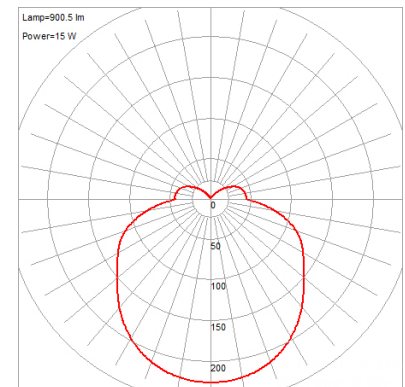
**Line Drawing #1**



**Line Drawing #2**



**IES File**



**Toll Free 800-828-5483 • www.AccessLighting.com**

14410 Myford Road, Irvine, CA 92606

The information provided is subject to change without notice. ©2020 Access Lighting Corporation. All Rights Reserved  
 Rev. 202004 Filename:: 50030LEDD-BS\_FST.pdf

