

LEITH 22" WALL HUNG BASIN

Cat. No
4-1128



Faucet not included



Mounting hardware

W: 22-3/8"
D: 16"
H: 5"

Interior Dimensions:

Basin Interior: 21-7/8" x 11-1/4"
Basin Depth: 4"
Back of basin to center of faucet: 2-1/2"
Back of basin to center of drain: 9-5/8"
Mount holes cc: 4-1/2"
Faucet hole diameter: 1-1/2"

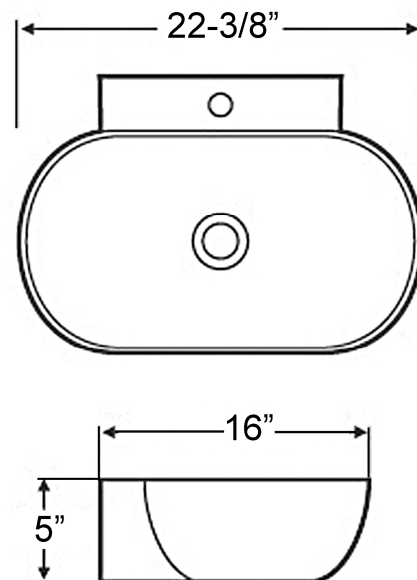
Features:

- ▶ Wall hung basin
- ▶ Made of Vitreous China
- ▶ Pre-drilled with 1-1/2" single faucet hole
- ▶ No overflow
- ▶ Mounting hardware included
- ▶ Drain not provided

Colors

WH White

Meets or exceeds the following specifications: ASME A112.19.2 2013 and CSA B45.1-13 for ceramic plumbing fixtures.



Dimensions of fixture are nominal and may vary within the range of tolerances established by ASME Standard A112.19.2.2013. Dimensions and specifications subject to change without notice.