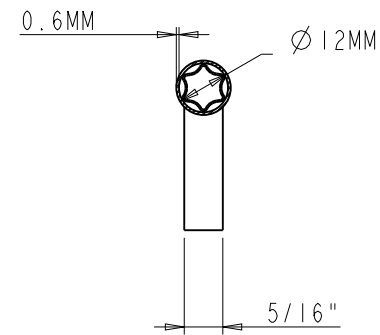
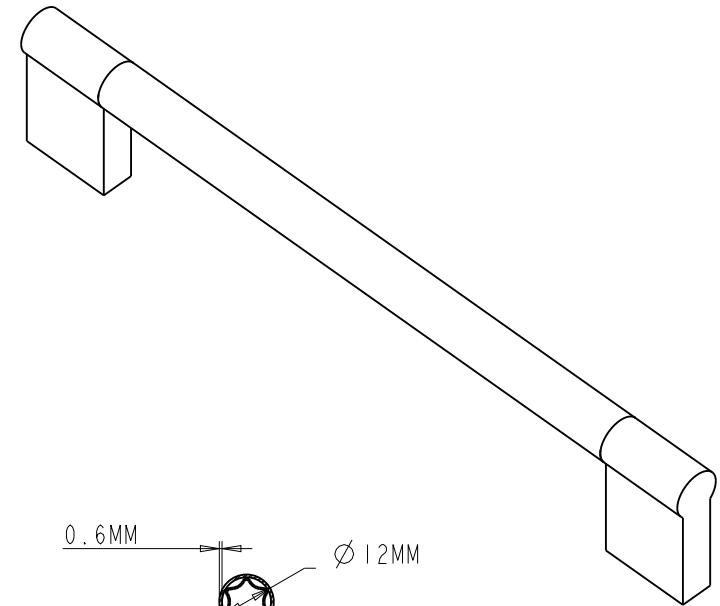
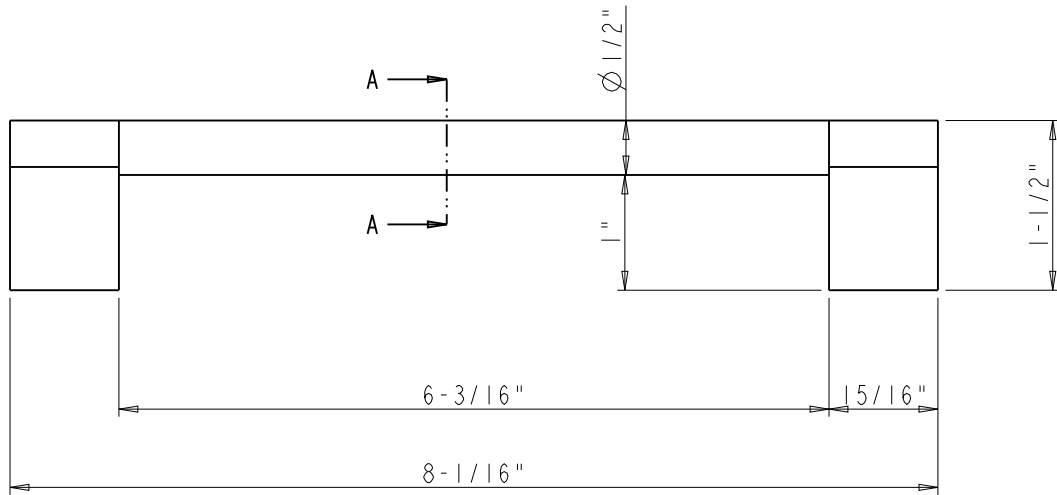
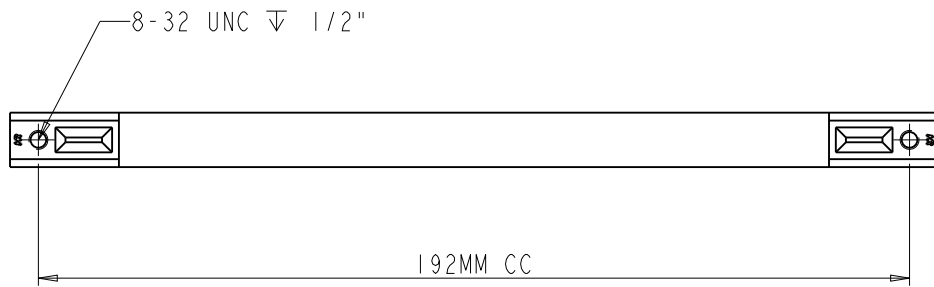


	ITEM#: 645-192	MATERIAL:
	FINISH:	WEIGHT: 9
<b>PROPRIETARY AND CONFIDENTIAL</b> THE INFORMATION CONTAINED IN THIS DRAWING IS THE SOLE PROPERTY OF HARDWARE RESOURCES INC. ANY REPRODUCTION IN PART OR AS A WHOLE WITHOUT THE WRITTEN PERMISSION OF HARDWARE RESOURCES INC. IS PROHIBITED.		PROJECTION
	TOLERANCE UNLESS OTHERWISE SPECIFIED: X ±0.20 X.X ±0.10 X.XX ±0.05 ANGULAR: ±0.5° DO NOT SCALE DRAWING	UNITS: DRAWN BY: <b>Alexander.W</b> APPROVED BY: SHEET: RELEASE LEVEL:



SECTION A-A

	ITEM#: 645-192	MATERIAL:
	FINISH:	WEIGHT: 122.98 g
	PROJECTION	
	TOLERANCE UNLESS OTHERWISE SPECIFIED: X ±0.20 X.X ±0.10 X.XX ±0.05 ANGULAR: ±0.5° DO NOT SCALE DRAWING	UNITS: DRAWN BY: <b>Alexander.W</b> APPROVED BY: SHEET: RELEASE LEVEL: DATE: 06-13-18 REVISION:

PROPRIETARY AND CONFIDENTIAL  
 THE INFORMATION CONTAINED  
 IN THIS DRAWING IS THE SOLE  
 PROPERTY OF HARDWARE  
 RESOURCES INC.  
 ANY REPRODUCTION IN PART OR  
 AS A WHOLE WITHOUT THE  
 WRITTEN PERMISSION OF  
 HARDWARE RESOURCES INC. IS  
 PROHIBITED.