

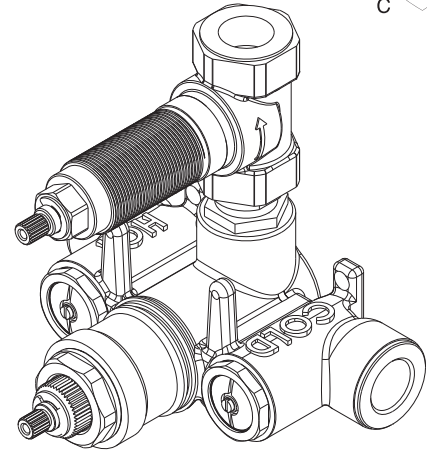
# SHOWER VALVE

## Features

## 1/2" Thermostatic Valve For Shower Installations

# 1-741

- Solid brass construction
- Provides anti-scald protection and temperature regulation
- Integrated volume control function
- High-temperature safety stop ensures water temperature maximum is 100° F (37.7 C)°
- Built in check valves with service stops
- 1/2" NPT female thread (inlet and outlet) valve body
- Mounting tabs located on rough-in for secure installation option
- Single outlet configuration
- 9.0 gpm (gallons per minute) flow rate (@ 45 psi)
- Requires Newport Brass LuxTherm® Trim (many options available, sold-separately)



## Codes / Standards Compliance

Meets or exceeds the following at date of manufacture:

- ASME A112.18.1/CSA B125.1
- IAPMO/Cupc
- IPC
- ASSE 1016
- All applicable US Federal and State material regulations

## Colors / Finishes

- 10B: Oil Rubbed Bronze
- 15: Polished Nickel
- 15S: Satin Nickel - PVD
- 26: Polished Chrome
- Other: Refer to the Newport Brass catalog for additional color/finish options.

## Specified Model

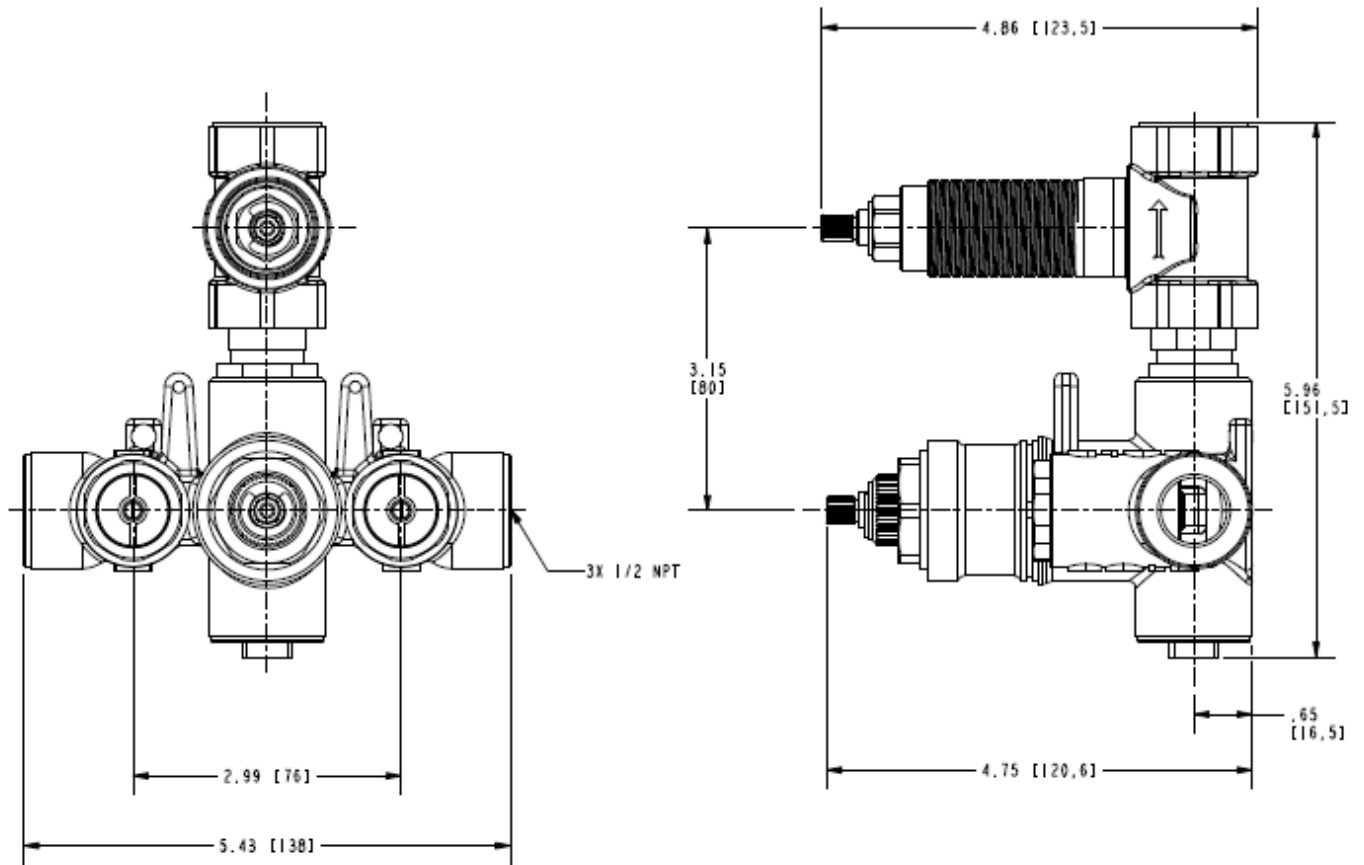
Model	Description	Colors   Finishes
1-741	1/2" Thermostat Valve For Shower Installations	<input type="checkbox"/> 10B <input type="checkbox"/> 15 <input type="checkbox"/> 15S <input type="checkbox"/> 26 <input type="checkbox"/> Other

## Product Specification Add "Color / Finish" suffix to Model number, below.

The Thermostat Valve for shower installations shall be made of solid brass construction. Valve shall provide anti-scald protection ensuring water temperature maximum is 100° F (37.7 C)°. Valve shall have a maximum flow rate of 9.0 gpm (gallons per minute) @ 45 psi. Valve inlets shall include integral stops and incorporate 1/2" NPT female thread for inlets and outlet. Valve shall incorporate mounting tabs along the back surface. Thermostat Valve for shower installations shall be Newport Brass Model 1-741.

# 1-741

## PRODUCT DIMENSIONS *(Units are in inches)*



### Shower Valve 1-741