



SharkBite® EvoPEX™

DESCRIPTION

SharkBite EvoPEX Fittings are for use in residential or commercial systems and approved for potable water and glycol (up to 100% mix) in hot and cold domestic water systems as well as radiant heating systems. SharkBite EvoPEX fittings are intended to be installed with SharkBite PEX pipe as a holistic system.



FEATURES AND BENEFITS

Instant push-to-connect ends for quick installation, immediate testing, and ease of use:
ID pipe seal, permanent connection, visual indicator to confirm connection, no tools, solder, clamps, rings, unions, or glue required.



TECHNICAL DATA

Performance:

Pressure @ Temperature Ratings

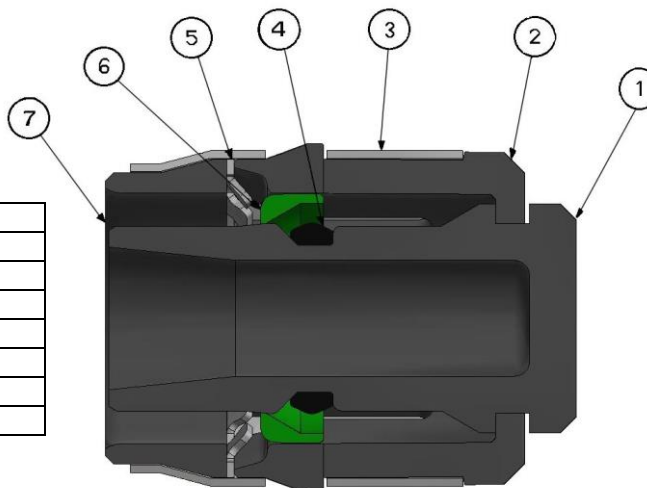
80 psi @ 200°F

100 psi @ 180°F

160 psi @ 73.4°F

SharkBite Materials:

Item	Material
1 – Body	Acudel
2 – Collet	Grilamid
3 – Collet Retainer	SST 304
4 – Radial Seal	EPDM
5 – Grab Ring	SST 316
6 – Protection Ring	Copolymer
7 – Spacer	Copolymer



CERTIFICATIONS

SharkBite® EvoPEX™ fittings 1/2", 3/4" and 1":

Certified to ASSE 1061 and CSA B125.3 standards.

Listed to ASSE 1061, NSF/ANSI 61, NSF 372, by IAPMO.

UPC, IPC, and NPC of Canada compliant

Patent pending



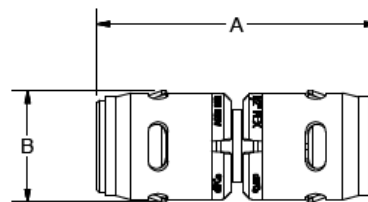
SPECIFICATION

SharkBite EvoPEX fittings shall be installed on SharkBite PEX complying with ASTM F876 or CSA B137.5. The fittings shall be made of Engineered Polymer and be compliant with ASSE 1061 or CSA B125.3. The fittings shall be used in a potable water or radiant heating/cooling system not to exceed 80 psi @ 200°F, 100 psi @ 180°F, or 160 psi @ 73.4°F

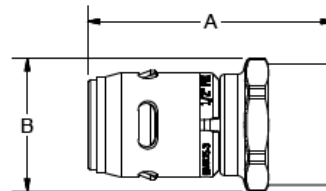


SharkBite® EvoPEX™

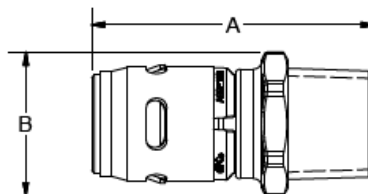
PART	DESCRIPTION	A	B	WEIGHT
K008Z6	COUPLING 1/2" X 1/2"	2.236	0.878	0.046
K016Z6	COUPLING 3/4" X 3/4"	2.488	1.160	0.082
K020Z2	COUPLING 1" X 1"	2.898	1.447	0.141
K058Z3	COUPLING REDUCING 3/4" X 1/2"	2.520	1.160	0.066
K060Z2	COUPLING REDUCING 1" X 3/4"	2.840	1.447	0.121



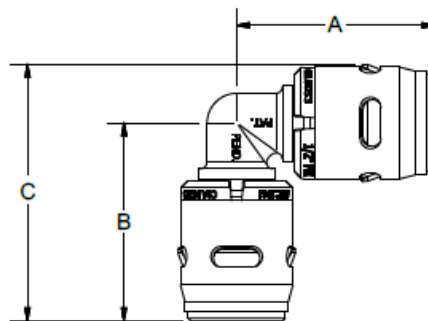
PART	DESCRIPTION	A	B	WEIGHT
K072Z2	FEMALE CONNECTOR 1/2" X 1/2" FNPT Straight	1.999	1.083	0.130
K088Z2	FEMALE CONNECTOR 3/4" X 3/4" FNPT Straight	2.251	1.181	0.213
K094Z2	FEMALE CONNECTOR 1" X 1" FNPT Straight	2.602	1.614	0.355



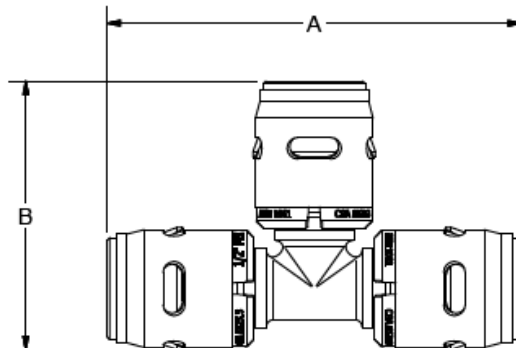
PART	DESCRIPTION	A	B	WEIGHT
K120Z2	MALE CONNECTOR 1/2" X 1/2" MNPT Straight	2.122	1.083	0.139
K134Z2	MALE CONNECTOR 3/4" X 3/4" MNPT Straight	2.280	1.181	0.174
K140Z2	MALE CONNECTOR 1" X 1" MNPT Straight	2.856	1.614	0.359



PART	DESCRIPTION	A	B	C	WEIGHT
K248Z6	ELBOW 1/2" X 1/2"	1.506	1.506	1.988	0.051
K274Z2	ELBOW 1/2" X 3/4"	1.66	1.33	2.246	0.079
K256Z6	ELBOW 3/4" X 3/4"	1.776	1.776	2.377	0.093
K260Z2	ELBOW 1" X 1"	2.152	2.152	2.885	0.159



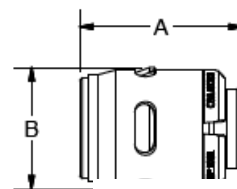
PART	DESCRIPTION	A	B	WEIGHT
K362Z3	TEE EQUAL 1/2" X 1/2" X 1/2"	3.012	1.557	0.079
K370Z3	TEE EQUAL 3/4" X 3/4" X 3/4"	3.551	2.358	0.126
K374Z2	TEE EQUAL 1" X 1" X 1"	4.264	2.864	0.236
K408Z3	TEE REDUCING 1/2" x 1/2" x 3/4" Reducing	3.299	2.197	0.099
K412Z3	TEE REDUCING 3/4" X 3/4" X 1/2" Reducing	3.346	2.232	0.110
K413	TEE REDUCING 3/4" x 3/4" x 1" Reducing	3.839	2.671	0.180
K414	TEE REDUCING 1" X 3/4" X 3/4" Reducing	3.844	2.652	0.180
K415Z2	TEE REDUCING 1" X 1" X 1/2" Reducing	3.854	2.525	0.180
K416Z2	TEE REDUCING 1" X 1" X 3/4" Reducing	4.059	2.652	0.198
K418	TEE REDUCING 1" x 3/4" x 1" Reducing	3.949	2.925	0.198
K419	TEE REDUCING 1" x 3/4" x 1/2" Reducing	3.742	2.526	0.198
K444Z3	TEE REDUCING 3/4" X 1/2" X 3/4" Reducing	3.465	2.358	0.117
K454Z3	TEE REDUCING 3/4" X 1/2" X 1/2" Reducing	3.254	2.232	0.099



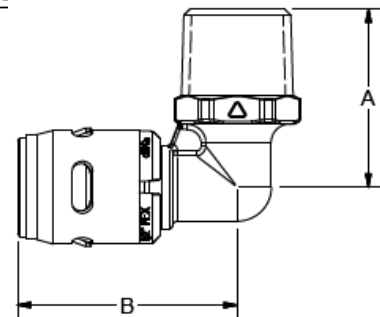


SharkBite® EvoPEX™

PART	DESCRIPTION	A	B	WEIGHT
K514TZ6	END CAP 1/2"	1.197	0.890	0.024
K518Z3	END CAP 3/4"	1.323	1.165	0.044
K520	END CAP 1"	1.537	1.465	0.079



PART	DESCRIPTION	A	B	WEIGHT
K280Z2	ELBOW MALE 1/2" X 1/2" MNPT	1.339	1.650	0.163



PART	DESCRIPTION	A	B	WEIGHT
K334Z3	ELBOW DROP-EAR 1/2" X 1/2" FNPT	1.339	2.551	0.196
K340	ELBOW DROP-EAR 3/4" X 3/4" FNPT	2.967	1.911	0.359

