

Freeze Protection Valve (FPV) & Scald Protection Valve (SPV)

MODELS:

- FPV: Freeze Protection Valve
- FPV-SS: Stainless Steel Freeze Protection Valve
- SPV: Scald Protection Valve
- SPV-SS: Stainless Steel Scald Protection Valve

FPV FEATURES:

- Prevents the equipment from freezing by regulating water temperature above freezing conditions
- Valve activates when water falls below 39°F (3.8°C)
- FPV Activation/Deactivation Ranges:
Design Working Temperature: -22°F - 176°F (-30° - 80°C)
Initial Opening: 39°F (3.8°C)
Full Open: 35°F (1.6°C)
Full Close: 45°F (7.2°C)
- Brass or 304 stainless steel body

SPV FEATURES:

- Prevents the equipment from delivering scalding water by regulating water temperature below scalding conditions
- Valve activates when water rises above 98°F (36.7°C)
- SPV Activation/Deactivation Ranges:
Design Working Temperature: -22°F - 176°F (-30° - 80°C)
Initial Opening: 38°F (36.7°C)
Full Open: 110°F (43.3°C)
Full Close: 95°F (35°C)
- Brass or 304 stainless steel body



FPV

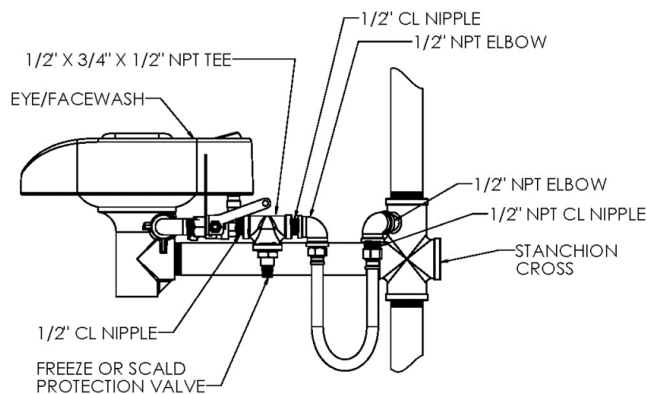
SPV

WARRANTY:

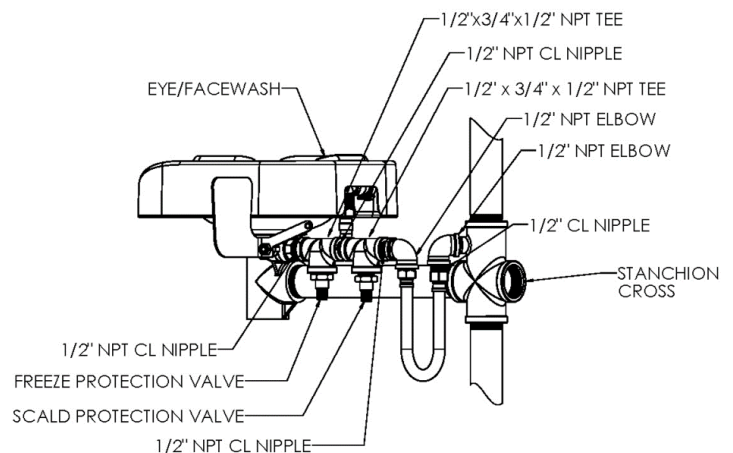
Visit www.speakman.com for full product warranty information

- 3 Year Limited Warranty (commercial)

WITH ONE TYPE PROTECTION VALVE



WITH BOTH PROTECTION VALVES



All dimensions are in inches (millimeters) unless otherwise specified and are subject to change without notice.

Architect/Engineer Approval Space:

P: 800-537-2107
F: 800-977-2747
W: WWW.SPEAKMAN.COM
R: 01-JANUARY 2020