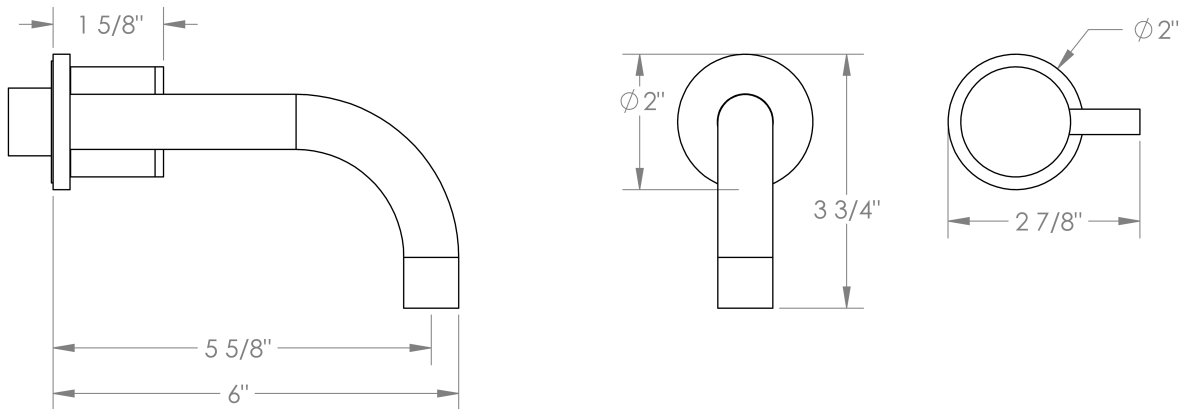


22-1.2S-TIB

Single Handle Wall Mounted Lavatory

Flow Rate: 1.2 GPM

Requires SS-SHV1.2 Concealed Rough



Meets the applicable requirements of ASME A112.18.1-2005/CSA B125.1-05, entitled "Plumbing Supply Fittings"