

## INSTALLATION NOTES

Model: B-4038



## Shower Base

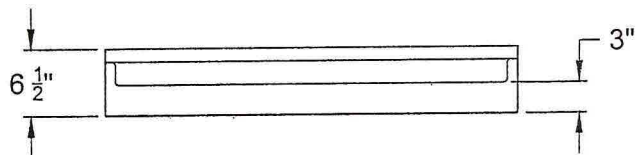
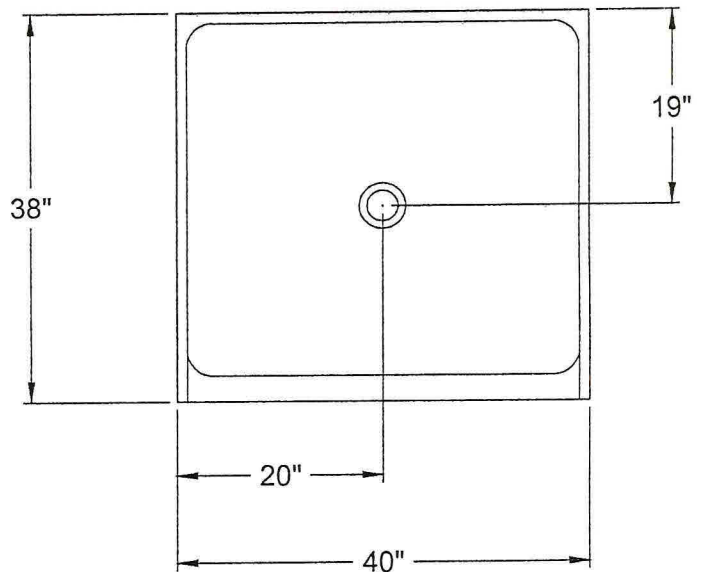
Door opening: 37.25"

Front Threshold Height: 3"

### INSTALLATION NOTES

1. Inspect framed-in area for proper size, level, square, and plumb.
2. Position module in framed area. Check to be sure module is level. Be sure apron is down tight to the floor and module walls are touching studs of framed area.
3. Spot nail through the nailing flanges at the top front corners.
4. Continue to nail the top flanges to each stud.
5. After installation, clean module with warm water and liquid detergent. Paints and other materials can be easily removed without damage to the unit by the use of turpentine, paint thinner, or acetone.
6. Any scratches or dull areas in unit may be removed with automotive type rubbing compound.

**NOTE**  
ALL DIMENSIONS  
MAY VARY  
 $\pm 1/4"$



### WARM RAIN

P.O. Box 600 • 51675 N. Industrial Drive • Hancock, MI 49930

Voice: 906-482-3750 • Fax: 906-482-2585 • Email: tedk@warmrain.com • www.warmrain.com