

WarmRain Specification for models:
 FW 4848 – The Genevieve
 MN Nursing Home Compliant Shower

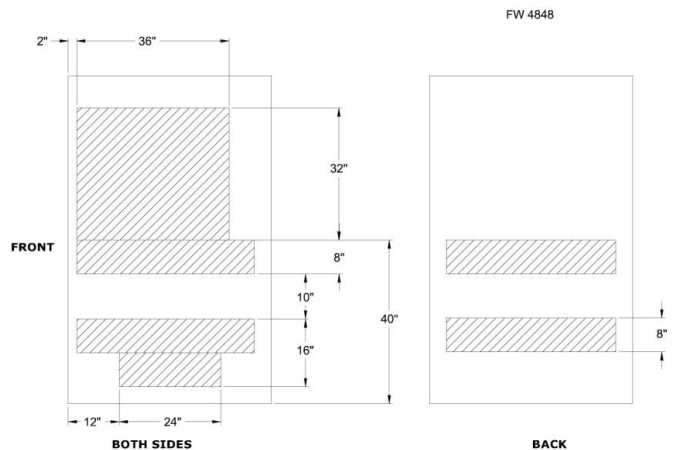


Warm Rain Model FW-4848-B-MN roll-in shower fixtures are constructed of reinforced polyester resin covered with a high gloss gel-coat of 18-20 mils. thickness. The reinforced fiberglass a minimum content of 18% fiberglass. The bottom base of the unit is constructed of end-grained balsa wood sandwiched between 2 layers of reinforced fiberglass at a content no less than 18%. The base is an integral part of the unit. The outside dimensions of these units will measure 51" L x 51" W x 79" H. The inside dimensions of these units will be 48" L x 48" W as measured at the centerline of the unit. The bottom floor is a textured bottom floor and meets ASTM F-462 slip resistance requirements.


The plywood reinforcement for this unit is shown below

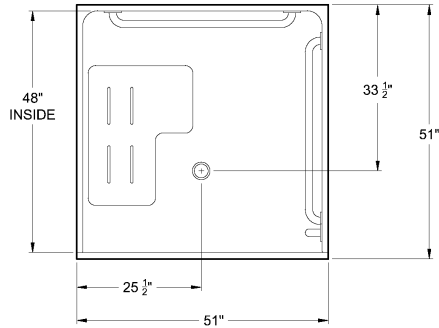
Antibacterial additive is an option for this unit.

These Warm Rain Roll-in showers arrive on site fully tested, inspected, and certified to meet or exceed the precise standards established by the FHA/HUD, materials bulletin 73), American National Standards Z-124.1 and Z-124.2, ASTM/E-84, and is certified by the NAHB (National Association of Home Builders) and are MN Nursing Home compliant

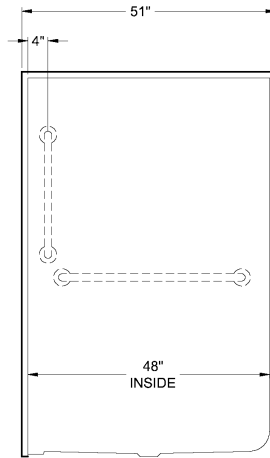
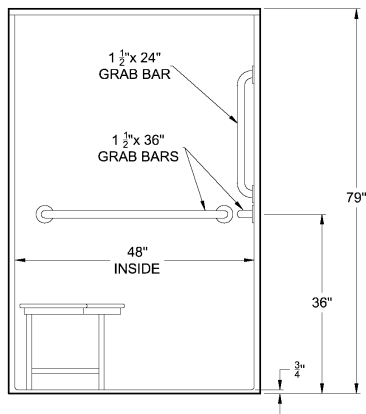


12-31-14


WarmRain Specification for models:
 FW 4848 – The Genevieve
 MN Nursing Home Compliant Shower



FW 4848-B



6-2-14



FW-4848-A: Model includes Grab Bars

The grab bars will be factory installed. The grab bars will be 1 1/2” outside diameter ADA compliant stainless steel bars. There are 3-36” and 1-24” vertical grab bar. The wall reinforcement is wood fiberglassed into the unit. 1 - 36” bar will be placed on both the wet wall and the dry wall 34.5” above the floor. 1 - 36” grab bar will be placed on the back wall 34.5” above the floor. 1 - 24” vertical grab bar will be placed 4” above the horizontal bar and 4” from the front of the shower.

FW-4848-B: Model includes Grab Bars & a Fold-up seat

The grab bars will be factory installed. The grab bars will be 1 1/2” outside diameter ADA compliant stainless steel bars. There are 2-36” and 1-24” vertical grab bar. The wall reinforcement is wood fiberglassed into the unit. 1 - 36” bar will be placed on the wet wall 34.5” above the floor. 1 - 36” grab bar will be placed on the back wall 34.5” above the floor. 1 - 24” vertical grab bar will be placed 4” above the horizontal bar and 4” from the front of the shower.

The ADA compliant fold-up seat will be factory installed. The seat will support a minimum of 250 #'s. The seat will be placed on the side wall opposite the controls 18” above the floor. The seat shall be a phenolic white ADA compliant seat.

FW-4848-C: Model includes Grab Bars, Fold-up seat, Pressure Balance Valve, Hand held shower with slide bar, Vacuum Breaker, & Curtain rod with brackets

The grab bars will be factory installed. The grab bars will be 1 1/2” outside diameter ADA compliant stainless steel bars. There are 3-36” and 1-24” vertical grab bar. The wall reinforcement is wood fiberglassed into the unit. 1 - 36” bar will be placed on the wet wall 34.5” above the floor. 1 - 36” grab bar will be placed on the back wall 34.5” above the floor. 1 - 24” vertical grab bar will be placed 4” above the horizontal bar and 4” from the front of the shower.

The ADA compliant fold-up seat will be factory installed. The seat will support a minimum of 250 #'s. The seat will be placed on the side wall opposite the controls 18” above the floor. The seat shall be a phenolic white ADA compliant seat. 1 - Symmons Allura Valve & Kit model # S-4700-300B-30-V-X will include an Allura S4700 pressure balance valve with integral service stops, hand held shower with a 30” bar, and a vacuum breaker. Also, 1 - Seachrome curtain rod with brackets will be included.

