



Warm Rain® model FW-584 Friendly® showers fixture are constructed of reinforced polyester resin covered with a high gloss gel-coat of 18 - 20 mils. thickness. The reinforced fiberglass has a minimum content of 18 % fiberglass.

The base is an integral part of the unit.

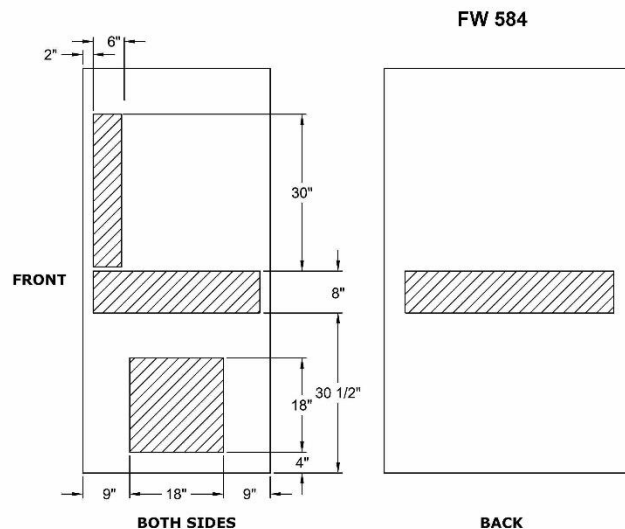
The unit will measure 60" x 36" x 78".

The bottom floor is textured. The texture bottom floor meets and exceeds ASTM Safety Specification F-462.

**The Front Outside threshold is 3" with a 1.5" inside dam.**

These units have flat walls and are reinforced for the future installation of grab bars. The reinforcement is shown in the diagram below. See page 2 for options including grab bars & fold-up seat.

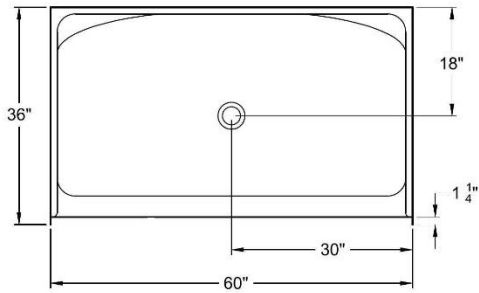
These Warm Rain® assisted showers arrive on site fully tested, inspected, and certified to meet or exceed the precise standards established by FHA/HUD, materials bulletin 73, American National Standards Z-124.1 and Z-124.2, ASTM/E-84 and is certified by the National Association of Home Builders NAHB).



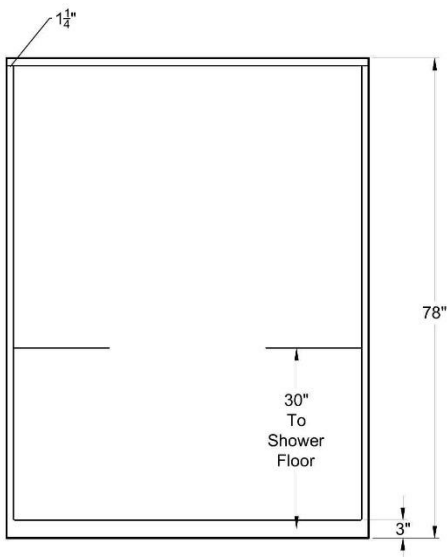
Warm Rain Corporation, 51675 N. Industrial Drive, Calumet, MI 49913

Voice: 906-482-3750 Fax: 906-482-2585 email: [tedk@warmrain.com](mailto:tedk@warmrain.com) website: [www.warmrain.com](http://www.warmrain.com)

**WarmRain** Specification for models:  
FW 584



FW 584 and WR 584



4-23-19



**FW-584-A: Model includes Grab Bars**

The grab bars will be factory installed. The grab bars will be 1 1/2” outside diameter ADA compliant stainless steel bars. There are 1-48” and 2-24” horizontal grab bars and 1-24” vertical grab bar. The wall reinforcement is wood fibreglassed into the unit. 1 - 24” bar will be placed on both the wet wall and the dry wall 34.5” above the floor. 1 - 48” grab bar will be placed on the back wall 34.5” above the floor. 1 - 24” vertical grab bar will be placed 4” above the horizontal bar and 4” from the front of the shower.

**FW-584-B: Model includes Grab Bars & a Fold-up seat**

The grab bars will be factory installed. The grab bars will be 1 1/2” outside diameter ADA compliant stainless steel bars. There are 2-24” horizontal grab bars and 1-24” vertical grab bar. The wall reinforcement is wood fibreglassed into the unit. 1 - 24” bar will be placed on the wet wall 34.5” above the floor. 1 - 24” grab bar will be placed on the back wall 34.5” above the floor. 1 - 24” vertical grab bar will be placed 4” above the horizontal bar and 4” from the front of the shower. The ADA compliant fold-up seat will be factory installed. The seat will support a minimum of 250 #’s. The seat will be placed on the side wall opposite the controls 18” above the floor. The seat shall be a phenolic white ADA compliant seat.

**FW-584-C: Model includes Grab Bars, Fold-up seat, Pressure Balance Valve, Hand held shower with slide bar, Vacuum Breaker, & Curtain rod with brackets**

The grab bars will be factory installed. The grab bars will be 1 1/2” outside diameter ADA compliant stainless steel bars. There are 2-24” horizontal grab bars and 1-24” vertical grab bar. The wall reinforcement is wood fibreglassed into the unit. 1 - 24” bar will be placed on the wet wall 34.5” above the floor. 1 - 24” grab bar will be placed on the back wall 34.5” above the floor. 1 - 24” vertical grab bar will be placed 4” above the horizontal and 4” from the front of the shower. The ADA compliant fold-up seat will be factory installed. The seat will support a minimum of 250 #’s. The seat will be placed on the side wall opposite the controls 18” above the floor. The seat shall be a phenolic white ADA compliant seat. 1 - Symmons Allura Valve & Kit model # S-4700-300B-30-V-X will include an Allura S4700 pressure balance valve with integral service stops, hand held shower with a 30” bar, and a vacuum breaker. Also, 1 - Seachrome curtain rod with brackets, and 1 – Oatey solid brass drain model # 42150 will be included.

