

WarmRain Specification for model:
H 533-FF



Warm Rain model H 533-FF Front-Fit™ remodeling shower fixtures are constructed of reinforced polyester resin covered with a high gloss gel-coat of 18 - 20 mil. thickness. The reinforced fiberglass has a minimum content of 18 % fiberglass.

The bottom base of the unit is constructed of 1/2" end-grained balsa wood sandwiched between 2 layers of reinforced fiberglass. The base is an integral part of the unit.

The inside bottom floor will be textured. The texture bottom floor meets and exceeds ASTM Safety Specification F-462.

The unit will measure 60" x 30" x 80.5" and has a 3" front outside threshold with a 1.5" inside dam.

The front apron of all units will have wood support along the entire length to help prevent the corners from chipping or bowing in or out.

The H-533-FF Front-Fit™ will have wood support for a shower door and a curtain bracket.

These units are reinforced for the future installation of grab bars and a fold-up seat. The reinforcement is shown in the diagram below.

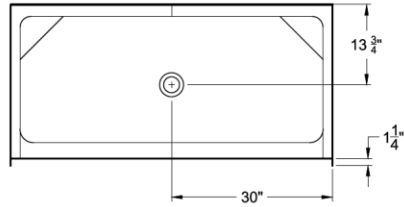
These Warm Rain showers arrive on site fully tested, inspected, and certified to meet or exceed the precise standards established by FHA/HUD, materials bulletin 73, American National Standards Z-124.1 and Z-124.2, ASTM/E-84, 1991 Fair Housing Act, ASTM E-84 Class "C" rating (Class B rating is available), FmHA, UFAS & ABA and ASTM D-2583 (Barcol Hardness) and is certified by the National Association of Home Builders NAHB.



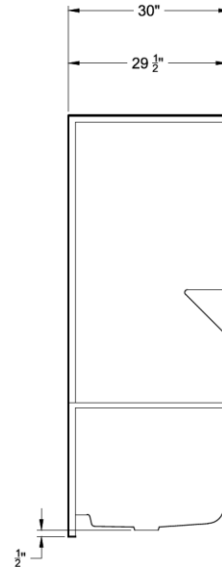
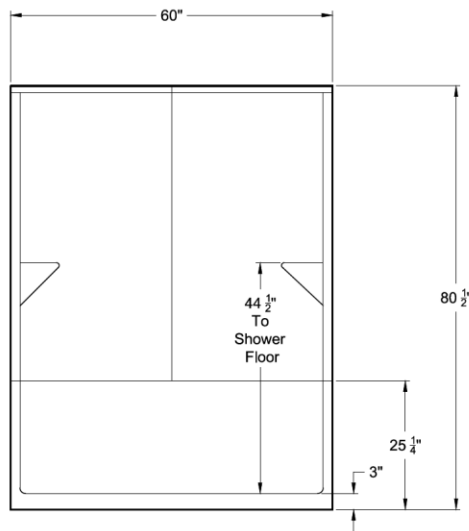
Warm Rain Corporation, P.O. Box 600, Hancock, MI 49930

Voice: 906-482-3750 Fax: 906-482-2585 email: tedk@warmrain.com website: www.warmrain.com

WarmRain Specification for model:
H 533-FF



WR 533 FF



8-12-14



H-533-A: Model includes Grab Bars

The grab bars will be factory installed. The grab bars will be 1 1/2" outside diameter ADA compliant stainless steel bars. There are 1 - 36" & 2 - 12" horizontal grab bars and 1 - 24" vertical grab bar. The wall reinforcement is wood fiberglassed into the unit. 1 - 12" bar will be placed on both the wet wall and the dry wall 34.5" above the floor. 1 - 36" grab bar will be placed on the back wall 34.5" above the floor. 1 - 24" vertical grab bar will be placed 4" above the horizontal bar and 4" from the front of the shower.

H-533-B: Model includes Grab Bars & a Fold-up seat

The grab bars will be factory installed. The grab bars will be 1 1/2" outside diameter ADA compliant stainless steel bars. There are 1 - 24" & 1 - 12" horizontal grab bars and 1 - 24" vertical grab bar. The wall reinforcement is wood fiberglassed into the unit. 1 - 12" bar will be placed on the wet wall at 34.5" above the floor. 1 - 24" grab bar will be placed on the back wall 34.5" above the floor. 1 - 24" vertical grab bar will be placed 4" above the horizontal bar and 4" from the front of the shower. The ADA compliant fold-up seat will be factory installed. The seat will support a minimum of 250 #'s. The seat will be placed on the side wall opposite the controls 18" above the floor. The seat shall be a phenolic white ADA compliant seat.

H-533-C: Model includes Grab Bars, Fold-up seat, Pressure Balance Valve, Hand held shower with slide bar, Vacuum Breaker, & Curtain rod with brackets

The grab bars will be factory installed. The grab bars will be 1 1/2" outside diameter ADA compliant stainless steel bars. There are 1 - 24" & 1 - 12" horizontal grab bars and 1 - 24" vertical grab bar. The wall reinforcement is wood fiberglassed into the unit. 1 - 12" bar will be placed on the wet wall at 34.5" above the floor. 1 - 24" grab bar will be placed on the back wall 34.5" above the floor. 1 - 24" vertical grab bar will be placed 4" above the horizontal bar and 4" from the front of the shower. The ADA compliant fold-up seat will be factory installed. The seat will support a minimum of 250 #'s. The seat will be placed on the side wall opposite the controls 18" above the floor. The seat shall be a phenolic white ADA compliant seat. 1 - Symmons Allura Valve & Kit model # S-4700-300B-30-V-X will include an Allura S4700 pressure balance valve with integral service stops, hand held shower with a 30" bar, and a vacuum breaker. Also, 1 - Seachrome curtain rod with brackets will be included.

