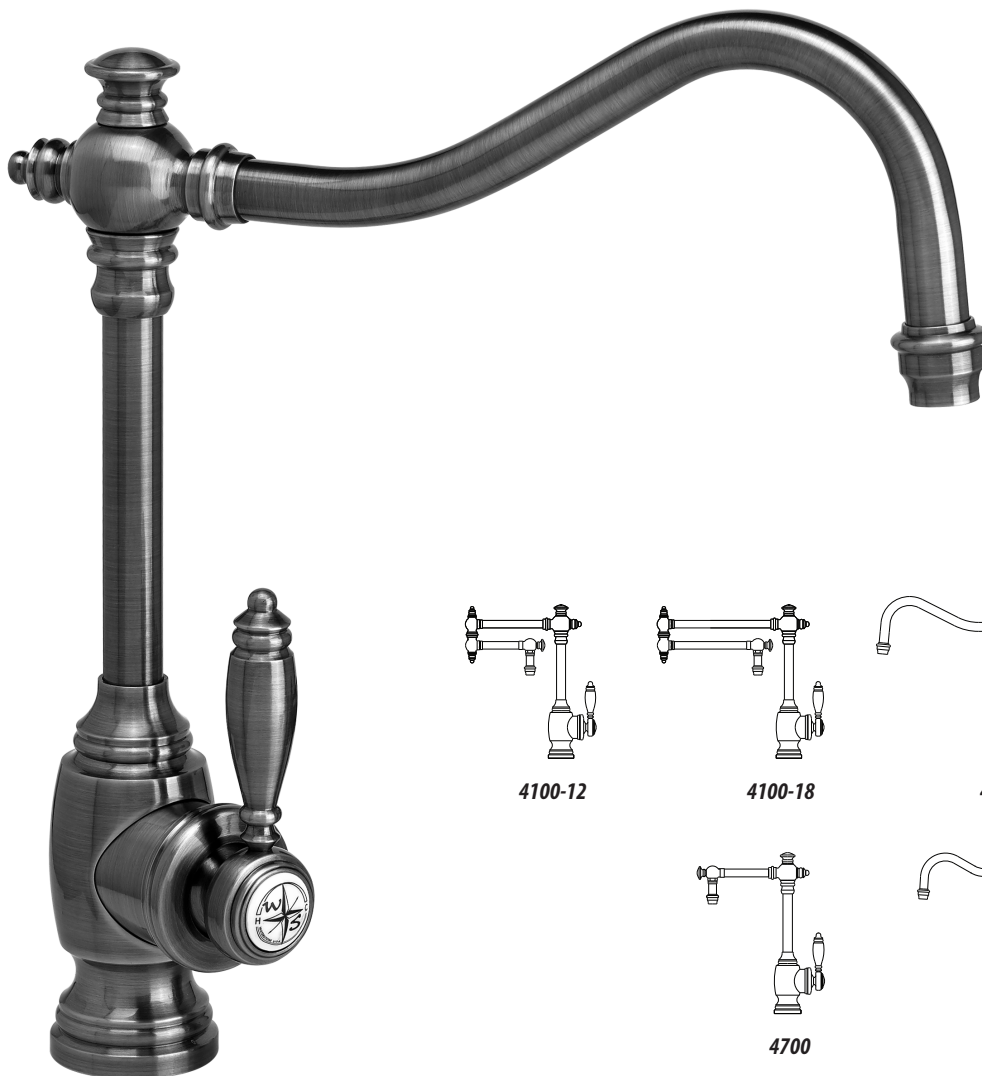


TRADITIONAL KITCHEN AND PREP FAUCET INSTALLATION INSTRUCTIONS

Kitchen Model #s:
4100-12
4100-18
4200
4300

Prep Model #s:
4700
4800
4900



BEFORE YOU BEGIN YOUR INSTALLATION:

1



Turn off water supply.

2



Observe all local plumbing codes.

3



Inspect plumbing for signs of damage. Replace as necessary.

4



DO NOT use petroleum based products on this faucet.

REQUIRED TOOLS:



Adjustable Wrench



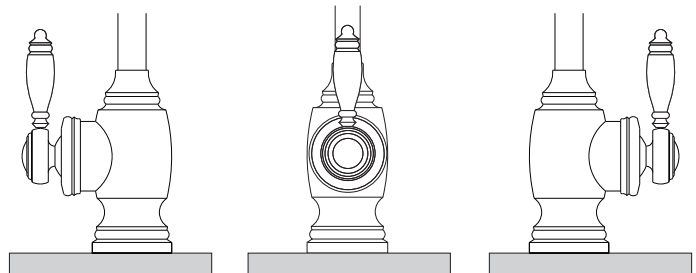
Phillips Screwdriver



Channel Locks

HANDLE POSITION

Waterstone faucets are designed to be installed in 3 different faucet positions. Choose to have the handle on left, front or right. Your faucet is factory configured for the most common positions - a front and right side installation. To reverse this and have the handle positioned on the left, connect the hose for cold water to the hot supply and the hose for hot water to the cold supply. This will maintain the relationship of pulling the handle for hot water or pushing for cold water.



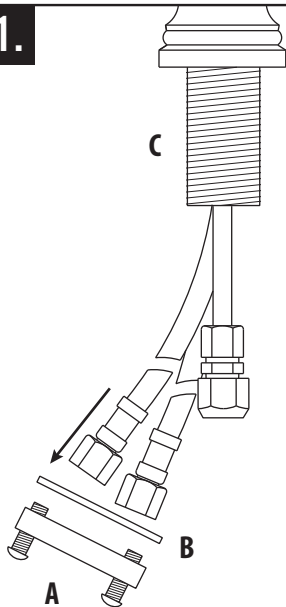
HANDLE ON LEFT

HANDLE IN FRONT

HANDLE ON RIGHT

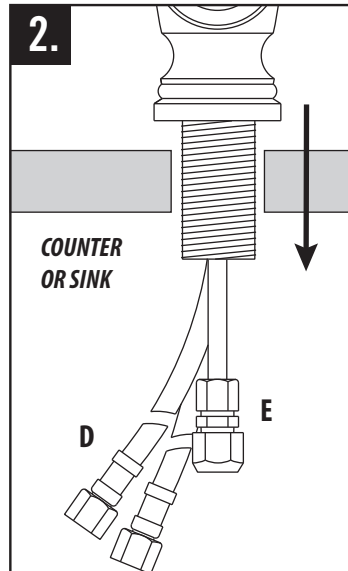
FAUCET INSTALLATION

1.



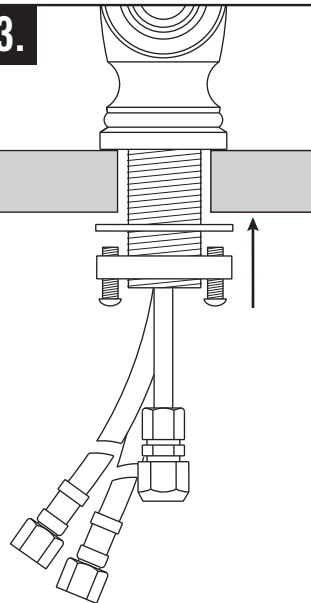
Remove clamp nut (A) and washer (B) from threaded shroud (C).

2.



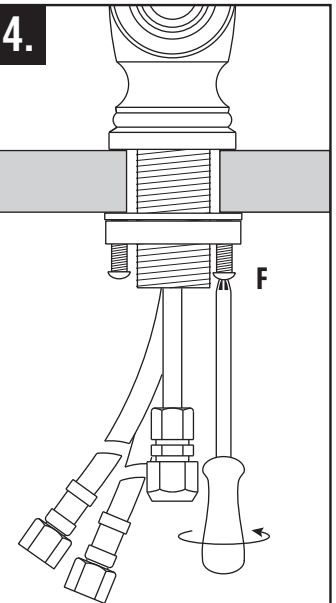
Fit flexible hoses (D) and rigid sidespray tube (E) through hole on counter or sink. (*No plumbers putty is required. O-ring seals base.*)

3.



Slide washer and thread the clamp nut onto threaded shroud. Tighten nut snug to underside of sink or counter.

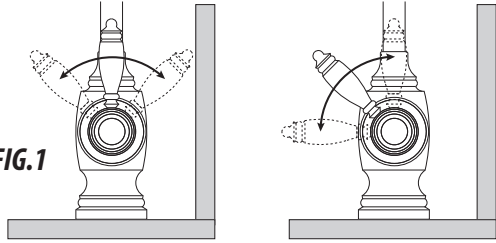
4.



Turn faucet to the desired handle position. Securely tighten clamp screws (F).

HOW TO ADJUST HANDLE POSITION AND HANDLE TENSION

FIG. 1

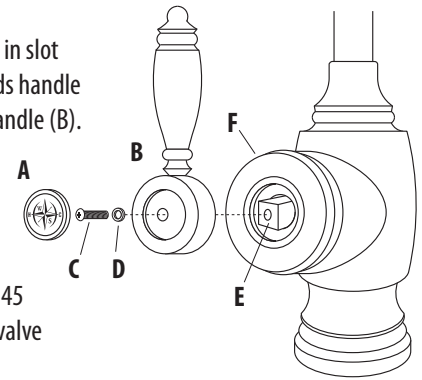


**ORIGINAL FACTORY POSITION
MAY HIT BACKSPASH**

**NEW ADJUSTED POSITION
CLEARS BACKSPASH**

On some kitchen countertops, the handle may hit the backsplash when the faucet handle is positioned to the left or right (Fig. 1). Waterstone gives you the option of adjusting the handle 45 degrees to avoid hitting backsplash.

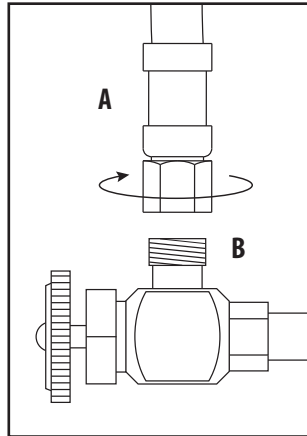
1. Place a small standard screwdriver in slot at bottom of metal ring that surrounds handle button (A). Gently pry button from handle (B).
2. Unscrew and remove holding screw (C) and washer (D).
3. Hold handle in a vertical position. Wiggle and pull straight off faucet. Rotate handle away from backsplash 45 degrees then slide handle back onto valve stem (E).



4. Insert holding screw with washer and tighten. Snap handle cap back into place.
5. To adjust handle tension, turn ring (F) clockwise to increase or counterclockwise to decrease handle tension.

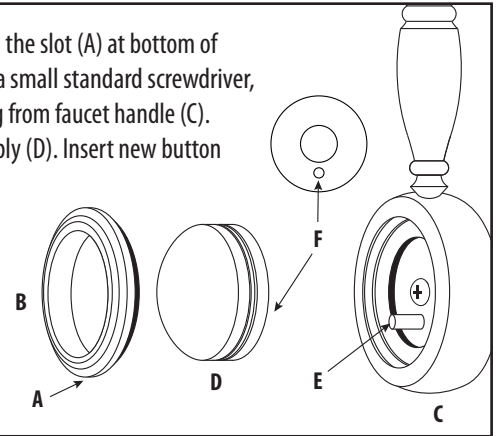
CONNECTING SUPPLY HOSES

Before connecting supply hoses, flush supply stops to clear any debris. Place a bucket underneath stops and run water for 5 to 10 seconds. Turn water off. Carefully position hot and cold supplies so they will not interfere with other hoses. Connect supply hoses (A) to supply stops (B). **DO NOT** use teflon tape or plumbers putty. Turn water back on and check for leaks.



OPTIONAL DECORATIVE BUTTONS

To change button, find the slot (A) at bottom of retainer ring (B). With a small standard screwdriver, gently pry retainer ring from faucet handle (C). Remove button assembly (D). Insert new button by lining up pin (E) on handle with hole (F) on bottom of button assembly. With slot facing down, press the button retainer ring firmly back into place.



CONNECTING OPTIONAL SIDE SPRAY

1.

COUNTER OR SINK

Insert side spray base (A) into hole on your sink or counter. No plumbers putty is required. O-ring will seal base. Screw on attaching nut (B) and securely tighten.

2.

Slide sidespray hose (C) through side spray base.

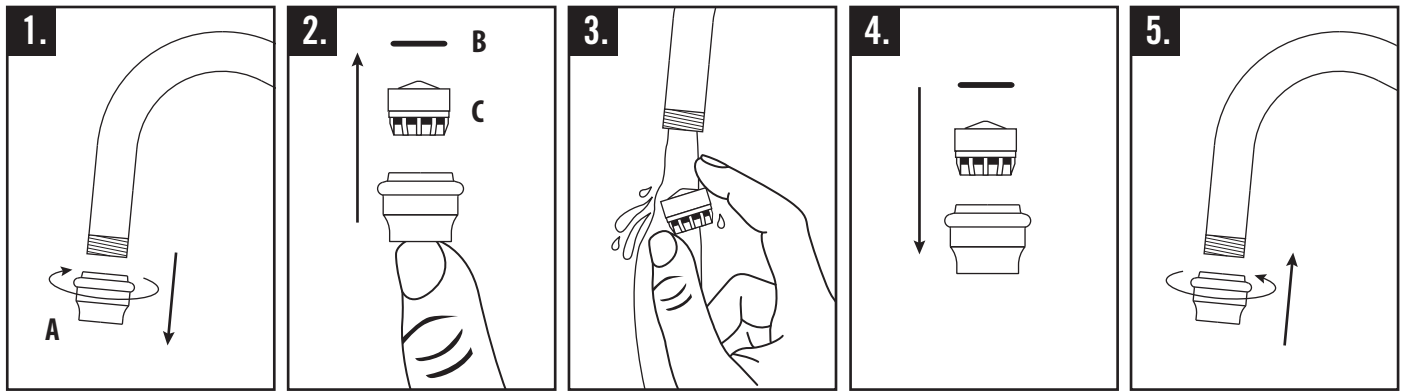
3.

Turn off water supply. On the faucet, remove cap (D) from end of sidespray hose tube (E).

4.

Connect and tighten sidespray hose to faucet hose tube.

CLEANING AERATOR AND DEBRIS SCREEN



Depending on quality of your household water, the aerator and debris screen may become clogged. We recommend cleaning one week after installation, then a minimum of once of year thereafter. To remove the debris, follow the steps below.

1. Gently unscrew and remove spout tip (A) by hand.
2. Remove O-ring (B). To remove aerator (C), push with finger from bottom.
3. Thoroughly rinse aerator with water until all debris is removed.
4. Place aerator, then O-ring back into spout tip.
5. Gently screw spout tip, by hand, snugly back onto spout.

INSTALL OPTIONAL SOAP/LOTION DISPENSER

1.

Pull and remove spout (A) from dispenser body (B). Remove clamp nut (C) from threaded shroud (D).

2.

Fit dispenser body through 1-3/8" hole on counter or sink. (No plumbers putty is required. O-ring seals base). Screw clamp nut onto shroud and tighten snug.

3.

Fill plastic bottle with soap or lotion. Thread bottle (E) into bottom of dispenser shroud.

4.

Slide red tubing (F) into tube fitting (G) at bottom of spout.

5.

Insert open end of red tubing down through dispenser base and into plastic bottle.

6.

Push down on spout to secure over white O-rings.

Pump spout a few times to get soap or lotion flowing.

INSTALL OPTIONAL AIR SWITCH

1.

Before inserting air switch into hole, loosen switch base (A) until threads are exposed.

2.

Slide clear tubing (B) into tube fitting (C) at bottom of air switch shroud.

3.

Fit air switch and tubing through 1-1/2" hole on counter or sink. (No plumbers putty is required. O-ring seals base).

4.

Slide washer up then screw the clamp nut onto threaded shroud. Hand tighten nut to underside of sink or counter until snug.

5.

Tighten clamp screws (E) securely with screwdriver.

6.

Hand tighten switch base back down to cover threads.

7.

Slide other end of tubing (F) into tube fitting at bottom of control box (G).

8.

Plug control box into undersink electrical outlet. Plug garbage disposal into either dual outlet.

INSTALL SINGLE PORT AIR GAP (OPTIONAL)

1.

Twist and pull air gap cover (A) off of upper cap nut (B). Unscrew and remove cap nut from piping (C).

2.

Unscrew and remove top clamp nut (D) from both threadings on piping. Slide gasket (E) off piping and remove.

3.

From underneath countertop, fit air gap piping upward through 1-1/2" hole.

4.

Slide gasket down and screw top clamp nut back onto piping. Adjust the two clamp nuts to fit countertop thickness. (No plumbers putty is required).

5.

Screw cap nut back onto top of piping until snug. Slide air gap over cap nut and top clamp nut. Be sure to have overflow holes (F) facing sink.

6.

Slide small intake hose (G) over small connector. Slide larger drainage hose (H) over large connector. Tighten hose clamps. Turn on water supply and check for leaks.

INSTALL DUAL PORT AIR GAP (OPTIONAL)

