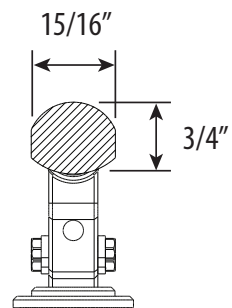


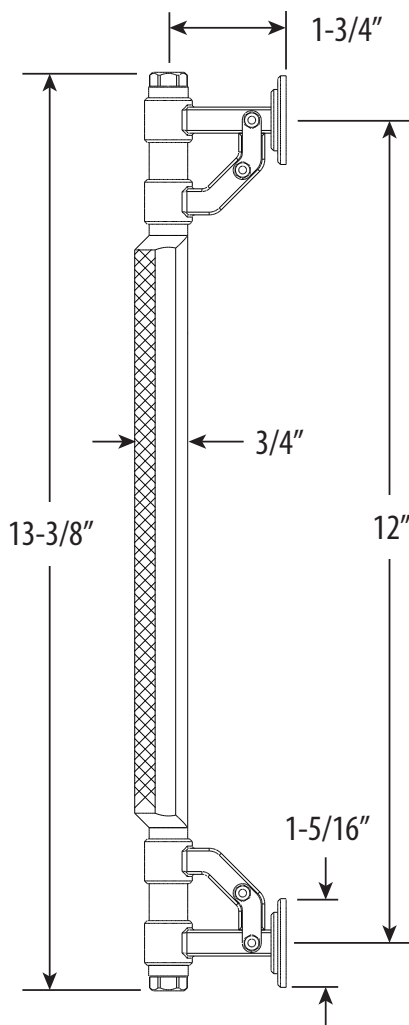
INDUSTRIAL 12" APPLIANCE PULL

HIP-1201

- Break to length screws
- Fits materials from 1/2" to 1-1/2" thick



END VIEWS



DIMENSIONS MAY VARY AND ARE SUBJECT TO CHANGE. NO RESPONSIBILITY IS ASSUMED FOR USE OF SUPERCEDED OR VOIDED DATA