



# Model F100 / F100G

## Fire Hose Valve

### Application

Zurn Model F100/F100G Fire Hose Valves are standpipe valves listed for use on a fire hose rack assembly, or as a fire department outlet connection.

### Standards Compliance

- UL® Listed
- C-UL®, ULC® Listed (2-1/2" only)
- FM® Approved

### Material

Main valve body	Brass C37700
O-Rings	EPDM (A70)
Handwheel	Aluminum A03600
Handwheel Bolt	Brass C37700
Handwheel Retaining washer	304 Stainless Steel



212-F100  
FNPT x NH



112-F100F  
FNPT x FNPT



212-F100G  
Grooved x NH

### Features

Sizes:	1-1/2", 2-1/2"
Maximum inlet pressure	300 psi
Inlet connection	FNPT or Grooved
Outlet connection	Male hose
Outlet connection	FNPT
Outlet connection	Special Thread (optional)
Cv 2-1/2"	148
Cv 1-1/2"	42

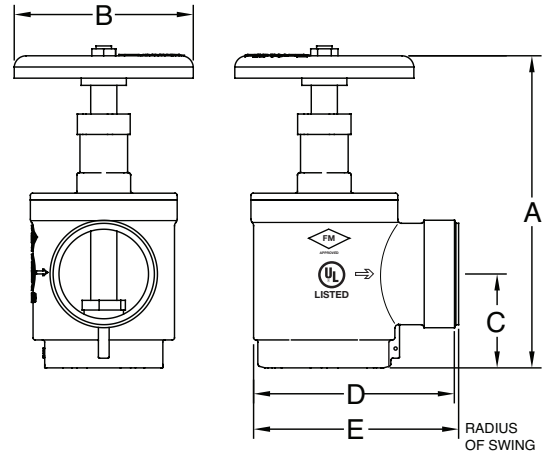
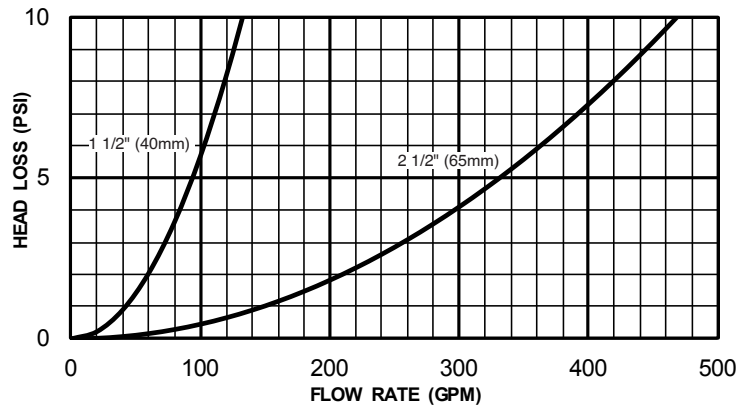
### Options

(Suffixes can be combined)

- F - Female NPT inlet and outlet angle valve
- ST - Specified thread outlet
- CH - Rough Chrome Plated (Request lead time)

### Flow Characteristic

MODEL F100 PRESSURE LOSS



### Dimensions & Weights (do not include pkg.)

MODEL	DIMENSIONS (approximate)												WEIGHT	
	A OPEN		A CLOSED		B		C		D		E			
	in.	mm	in.	mm	in.	mm	in.	mm	in.	mm	in.	mm	lbs	kg
112-F100	7 3/4	195	6 3/4	169	4	100	2	50	2 1/2	63	2 3/4	68	4	2
112-F100F	7 3/4	195	6 3/4	169	4 1/8	103	2	50	2 5/8	66	2 7/8	72	4	2
212-F100	10 5/8	268	8 7/8	225	5	127	2 3/4	68	3 1/8	79	3 1/2	88	8	4
212-F100F	10 5/8	268	8 7/8	225	5	127	2 3/4	68	3 3/8	84	3 3/4	94	8	4
212-F100G	11 1/2	291	9 7/8	248	5	127	3 5/8	91	3 1/8	79	n/a	n/a	9	4
212-F100GF	11 1/2	291	9 7/8	248	5	127	3 5/8	91	3 3/8	84	n/a	n/a	9	4