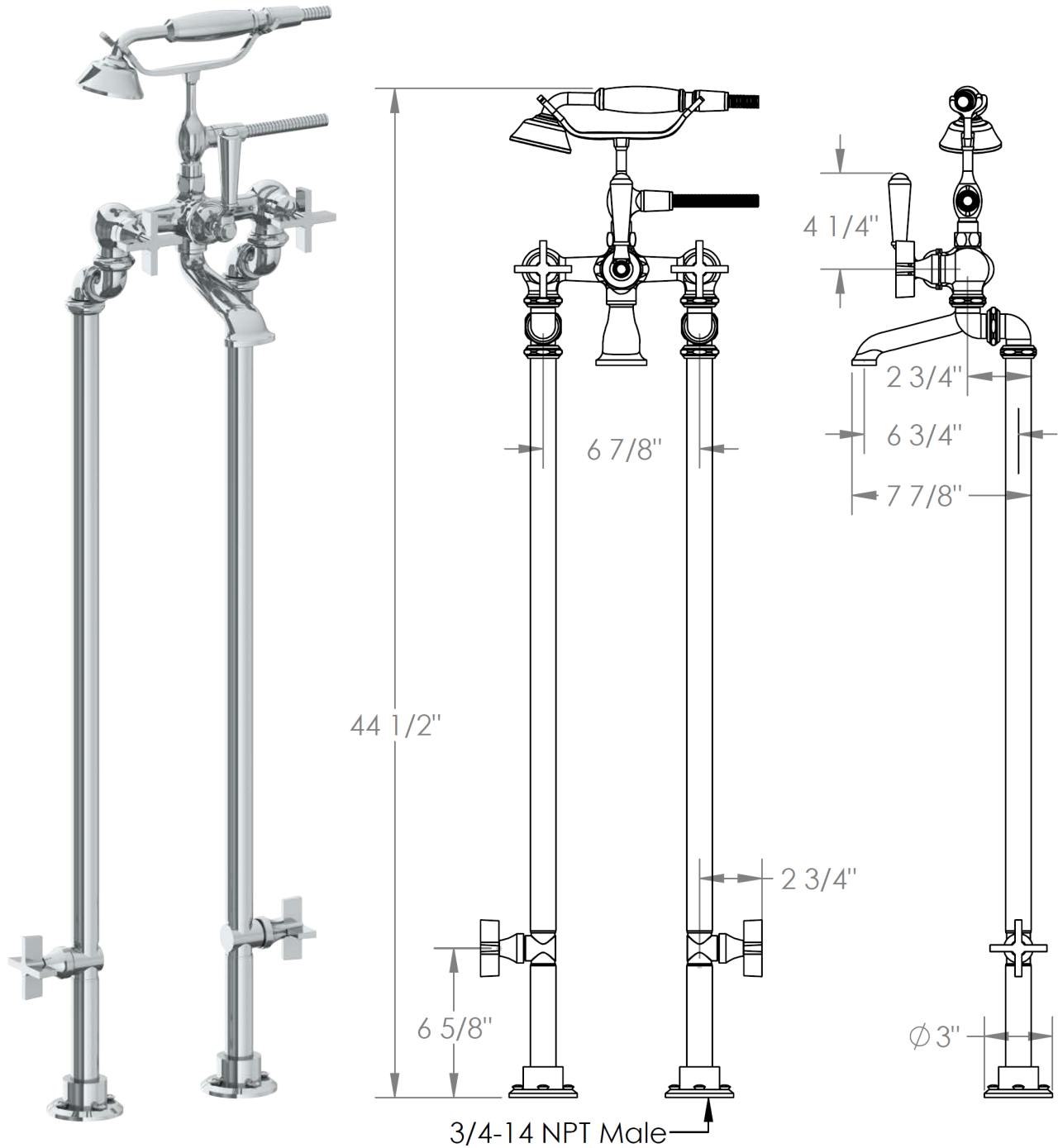


**34-8.3STP-DD3**

Floor Mounted Bath Set with Hand Shower and Shut-Off Valves

Hand Shower Flow Rate: 1.75 GPM

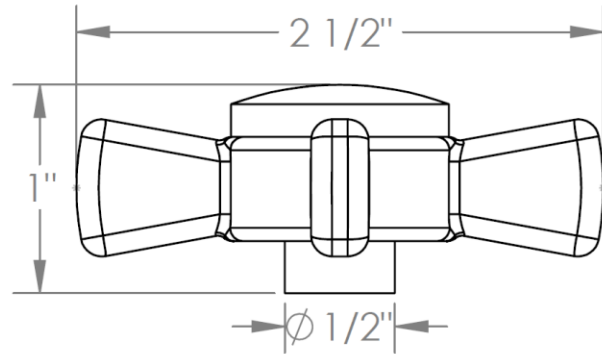
Note: Some building codes may require a remote pressure balancing valve, such as the SS-PB50



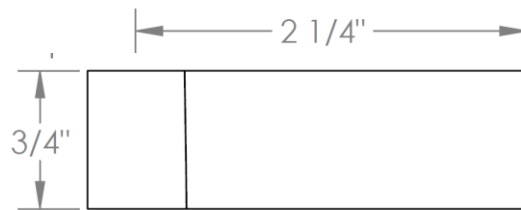
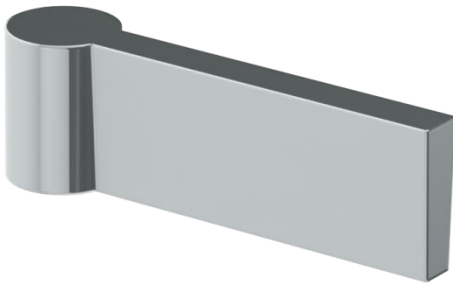
Meets the applicable requirements of ASME A112.18.1-2005/CSA B125.1-05, entitled "Plumbing Supply Fittings"

## Haley Handle Options

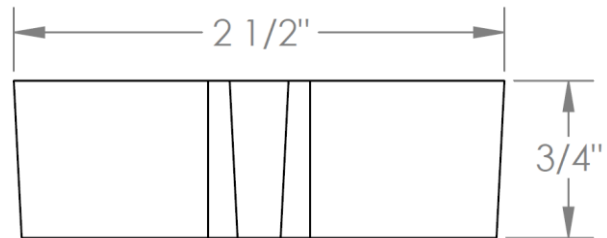
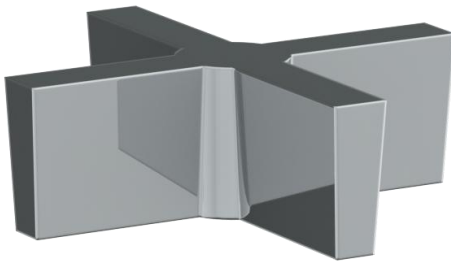
### B9M – SISTINA



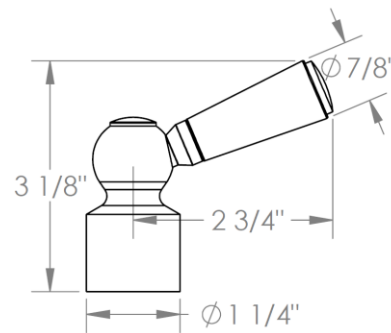
### DD2 – ASTAIRE



### DD3 – GARBO



### H4 – HARMONIE

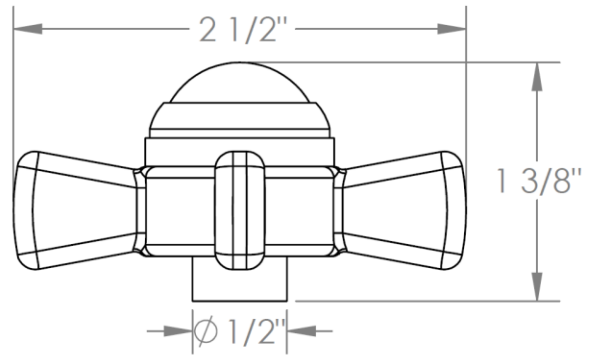


**WATERMARK** DESIGNS 8/29/2018

350 Dewitt Ave Brooklyn NY 11207 USA T 718 257 2800 F 718 257 2144 info@watermark-designs.com

## Haley Handle Options

### S1 – PRESTON



### S1A – NOTTINGHAM

